

57221 NeoSpeed

Steel - Countersunk head
3.2 mm (1/8")

Speed fasteners with a unique splined rivet design combine high clamp throughout a wide grip range

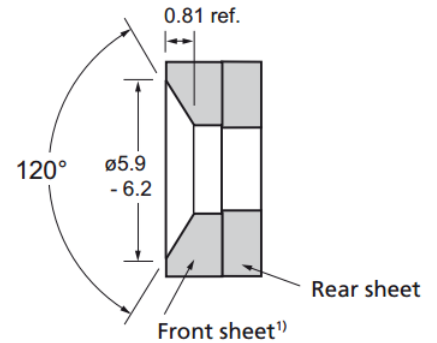
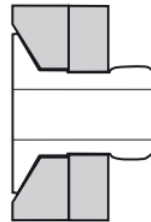
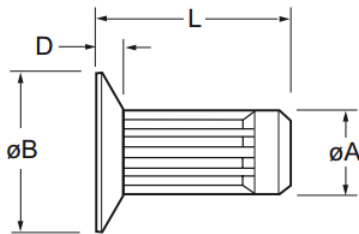


Features

- Delivers a throughput up to four times greater than traditional threaded or breakstem fasteners
- Multi-grip capability accommodates wide variations in material thickness
- One rivet can be used to replace several standard grip fasteners
- External splines fill rear sheet and oversize front sheet holes
- 3x greater hole size tolerance than standard breakstem rivets
- Far less sensitive to application variations
- Easier specification due to one-rivet x one mandrel solution
- Typically half the installed weight versus an equivalent breakstem rivet
- Supply options: paper magazine of fasteners or preloaded disposable mandrel (cartridge)

Material

- Steel, zinc plated, clear trivalent passivated



Part No.	Size ø	Grip Range			Front Sheet Hole Size		Rear Sheet Hole Size		øB	D	L	øA	Fasteners per pod ± 1	Shear (typical) kN	Tension (typical) kN
		nom.	min.	max.	min.	max.	min.	max.							
57221-03204	3.2 (1/8")	1.0	2.0								4.8		64	0.94	1.92
57221-03207			4.5	3.26	3.34	3.26	3.42	5.84	0.80	7.3	3.17	42	1.15	1.76	
57221-03211			8.6							11.5		27	1.15	1.68	

(1) Front sheet thickness must exceed the full depth of countersink

Assembly Applications

- Automotive
- Electronics
- Domestic appliances
- Electrical equipment
- General lighting fabrication

Heating



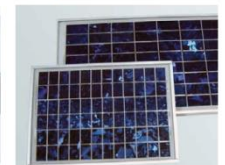
Rapid action door



Computer cabinet



Solar panel



Airbags



Interior



Seat & trim

